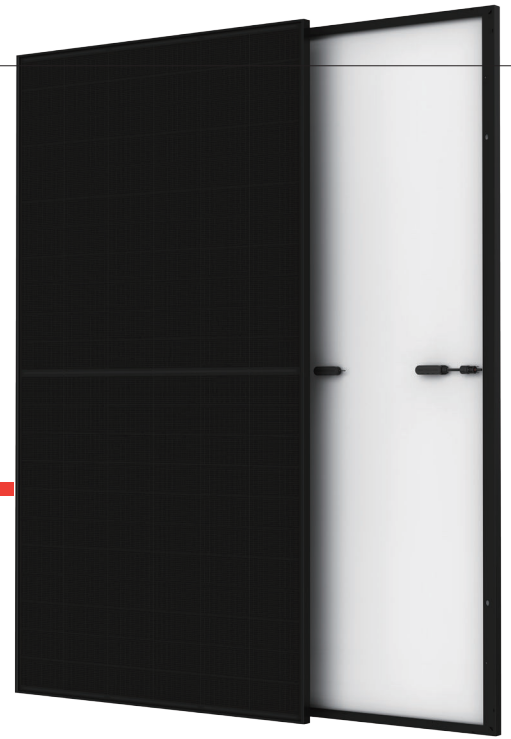


THE Residential Module



132-Cell
MONOCRYSTALLINE MODULE

355-380W
POWER OUTPUT RANGE

20.6%
MAXIMUM EFFICIENCY

0~+5W
POSITIVE POWER TOLERANCE

PRODUCTS | **POWER RANGE**
TSM-DE06X.05(II) | 355-380W



High power and High Efficiency

- Up to 380W front power and 20.6% module efficiency with half-cut and MBB (Multi Busbar) technology bringing more BOS savings
- Reduce BOS cost with higher power bin and 1500V system voltage



Outstanding visual appearance

- Designed with aesthetics in mind
- Excellent cell color control
- Thinner wires that appear all black at a distance



High reliability

- Ensured PID resistance through cell process and module material control
- Resistant to salt, acid and ammonia
- Mechanical performance: Up to 5400 Pa positive load and 2400 Pa negative load



Certified to withstand the most challenging environmental conditions

- Excellent IAM and low light performance validated
- Lower temp co-efficient (-0.34%) and NOCT bring more energy leading to lower LCOE
- Better anti-shading performance and lower operating temperature

Founded in 1997, Trina Solar is the world's leading total solution provider for solar energy. With local presence around the globe, Trina Solar is able to provide exceptional service to each customer in each market and deliver our innovative, reliable products with the backing of Trina as a strong, bankable brand. Trina Solar now distributes its PV products to over 100 countries all over the world. We are committed to building strategic, mutually beneficial collaborations with installers, developers, distributors and other partners in driving smart energy together.

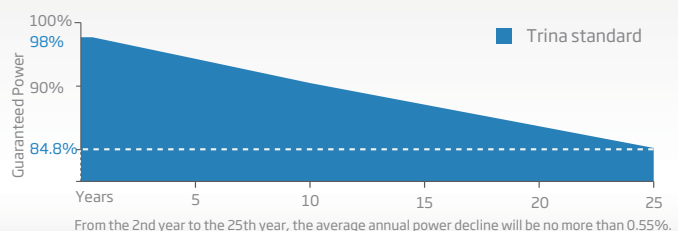
Comprehensive Products and System Certificates

UL 61730
IEC 61215 / IEC 61730 / IEC 61701 / IEC 62716
ISO 9001: Quality Management System
ISO 14001: Environmental Management System
ISO14064: Greenhouse Gases Emissions Verification
OHSAS 18001: Occupation Health and Safety Management System

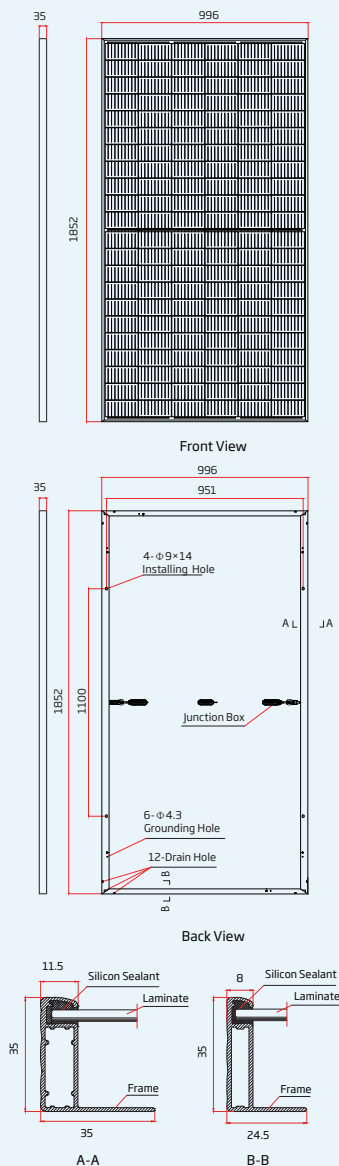


PERFORMANCE WARRANTY

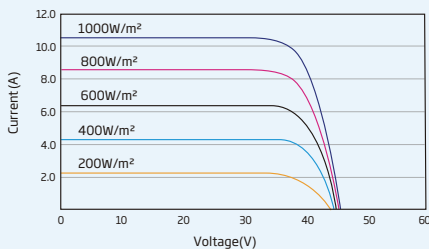
25 Year Product Warranty · 25 Year Power Warranty



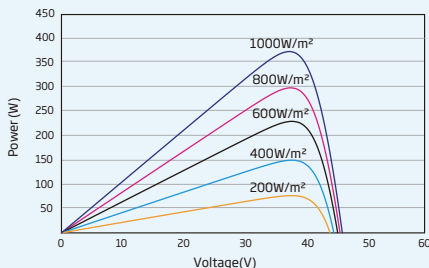
DIMENSIONS OF PV MODULE(mm)



I-V CURVES OF PV MODULE(370W)



P-V CURVES OF PV MODULE(370W)



ELECTRICAL DATA (STC)

Peak Power Watts-P _{MAX} (Wp)*	355	360	365	370	375	380
Power Output Tolerance -P _{MAX} (W)	0 ~ +5					
Maximum Power Voltage-V _{MPP} (V)	36.8	37.0	37.2	37.4	37.6	37.8
Maximum Power Current-I _{MPP} (A)	9.66	9.74	9.82	9.90	9.98	10.07
Open Circuit Voltage-V _{OC} (V)	44.6	44.8	45.0	45.2	45.3	45.5
Short Circuit Current-I _{SC} (A)	10.24	10.30	10.35	10.40	10.45	10.51
Module Efficiency η _m (%)	19.2	19.5	19.8	20.1	20.3	20.6

STC: Irradiance 1000W/m², Cell Temperature 25°C, Air Mass AM1.5.
 *Measurement tolerance: ±3%.

ELECTRICAL DATA (NOCT)

Maximum Power-P _{MAX} (Wp)	268	272	276	279	283	287
Maximum Power Voltage-V _{MPP} (V)	34.4	34.7	34.9	35.1	35.3	35.6
Maximum Power Current-I _{MPP} (A)	7.80	7.85	7.90	7.96	8.01	8.06
Open Circuit Voltage-V _{OC} (V)	42.0	42.2	42.4	42.6	42.6	42.8
Short Circuit Current-I _{SC} (A)	8.25	8.30	8.34	8.38	8.42	8.47

NOCT: Irradiance at 800W/m², Ambient Temperature 20°C, Wind Speed 1m/s.

MECHANICAL DATA

Solar Cells	Monocrystalline
Cell Orientation	132 cells
Module Dimensions	1852 × 996 × 35 mm (72.91×39.21× 1.38 inches)
Weight	19.7 kg (43.4 lb)
Glass	3.2 mm (0.13 inches), High Transmission, AR Coated Heat Strengthened Glass
Encapsulant Material	EVA / POE
Backsheet	Black-White
Frame	35 mm (inches) Anodized Aluminium Alloy
J-Box	IP 68 rated
Cables	Photovoltaic Technology Cable 4.0mm ² (0.006 inches ²), Portrait: N 280mm/P 280mm(11.02/11.02inches) Landscape: N 1400 mm /P 1400 mm (55.12/55.12 inches)
Connector	MC4 EVO2
Fire Type	Type 1

TEMPERATURE RATINGS

NOCT(Nominal Operating Cell Temperature)	43°C (±2°C)
Temperature Coefficient of P _{MAX}	- 0.34%/°C
Temperature Coefficient of V _{OC}	- 0.25%/°C
Temperature Coefficient of I _{SC}	0.04%/°C

MAXIMUM RATINGS

Operational Temperature	-40~+85°C
Maximum System Voltage	1500V DC (UL)
Max Series Fuse Rating	20A

WARRANTY

- 25 year Product Workmanship Warranty
- 25 year Linear Power Warranty

(Please refer to product warranty for details)

PACKAGING CONFIGURATION

- Modules per box: 31 pieces
- Modules per 40' container: 744 pieces
- Pallet dimensions (L x W x H): 1880 x 1125 x 1173 mm
- Pallet weight: 658.6kg (1,452lb)